

# Imagine...

What Bilco can do for your basement



© 1960 S.F.P.S. Licensed by Curtis Publishing, Indianapolis, IN. All rights reserved. www.curtispublishing.com



# Imagine...

## Basement Doors

Basement doors are ideal for access to basement storage areas and for moving large items into finished basement areas. The wide opening allows storage items such as deck and patio furniture, and large items such as pool tables and furniture, to be easily moved in and out of a basement. Doors meet building code requirements for emergency egress in finished basement living areas and feature weather resistant construction.



### Classic Series Steel Sided

#### Features:

- Patented gas spring lift assistance for improved operation
- New primer finish with superior adhesion and finish coat flexibility
- Slide bolt locking mechanism (optional keyed lock kit available)
- Flanged construction and J-channel header shed water and prevent binding due to ice and snow, permitting all-season use

#### Now available with a Powder Coat Paint Finish

Eliminates the time and expense of painting the door yourself.

#### Color Choices



Only available on Classic Series doors, sizes B and C and extension panels.



### Classic Series Sloped Wall

#### Features:

- Heavy-duty steel construction
- New primer finish with superior adhesion and finish coat flexibility
- Corrosion-resistant zinc-plated, chromate-sealed hardware
- Lift assistance provides easy, one-hand operation
- Slide bolt locking mechanism (optional keyed lock available)
- Versatile frame design and optional foundation plates and extension panels allow the door to accommodate virtually any areaway

For use on existing masonry sidewalls

Door shown with optional foundation plates, extensions and keyed lock kit.



### Ultra Series

#### Now pre-assembled for faster installation!

#### Features:

- Corrosion-resistant high-density, polyethylene construction
- Simulated wood design
- Pleasing driftwood color
- Will not rust and never needs painting
- Interchangeable side panel inserts allow homeowners to add light and/or ventilation to their basement areaway
- Motion dampers provided for safe and controlled door operation
- Slide bolt locking mechanism



Louver and screen side panel window inserts



Wood grain texture

Available in Size C only

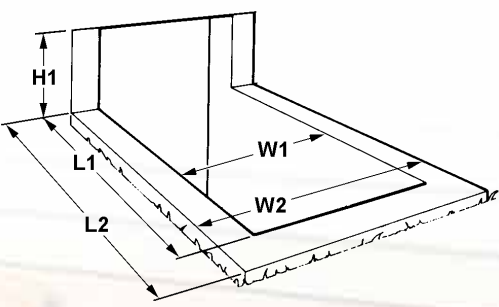
For new home construction, see PermEntry Basement Entrance on page 6.

## Basement Door Measuring Guide

Follow the instructions below to calculate the proper size door for your areaway. An electronic version of this sizing guide is also available at [www.bilco.com](http://www.bilco.com). Please contact Bilco if you are unable to find a standard door to fit your areaway.

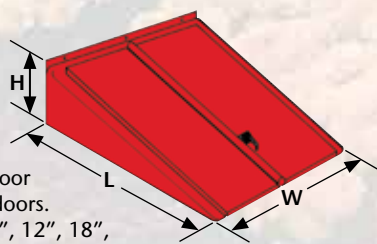
### Ultra Series and Classic Series Sided Doors

1. Discard your old door and measure (in inches) the dimensions of the areaway foundation.
2. Measure dimension W1, the inside width, and dimension W2, the outside width of the areaway foundation walls. Record your dimensions and make the calculation shown.
3. Measure dimension L1, the inside length, and dimension L2, the outside length of the areaway foundation walls. Record your dimensions and make the calculation shown.
4. Measure dimension H1, the height from the top of the areaway foundation to the top of the opening in the house foundation.
5. Select the door from the table to the right with a width between W1 and W2 and length between L1 and L2.



Record your foundation dimensions here

<b>Width</b>
W1 + 4" = _____
W2 = _____
<b>Length</b>
L1 + 2" = _____
L2 = _____
<b>Height</b>
H1 = _____



**Extensions** are available to increase the door length for Size C Ultra and Classic Series doors. Classic Series extensions are available in 6", 12", 18", and 24" lengths and two or more can be mounted back to back to increase the door length. **Ultra Series Door** extensions are available in 6" and 12" lengths and two extensions can be combined to increase the door length.

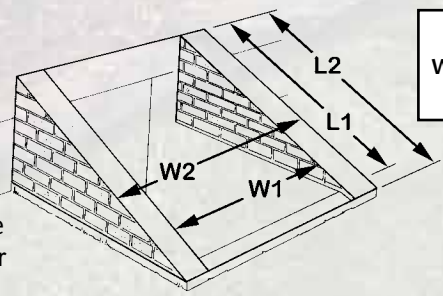
### Basement Door Dimensions

Door Size	Width (W) (inches)	Length (L) (inches)	Height (H) (inches)	Door Opening	
				Length (inches)	Width (inches)
B	51	64	22	60	44
C*	55	72	19½	67	48
O	47	58	30	58	40
SL	51	43¼	52	60	44

\*Ultra Series Doors are available in Size C only

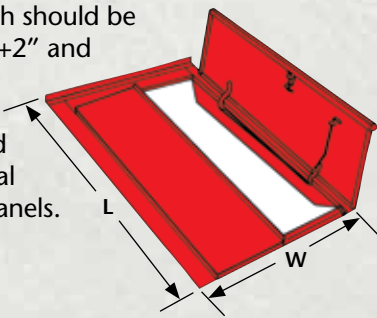
### Classic Series Sloped Wall Doors

1. Discard your old door and measure the dimensions of the areaway foundation as shown.
2. Measure dimension W1, the inside width, and W2, the outside width of the foundation sloped sidewalls. Walls may not be uniformly spaced, so check at several points for the narrowest dimension.
3. Measure dimension L1, the inside length, and L2, the outside length of the areaway foundation. Record your dimensions and make the calculation shown.
4. Select the widest and longest SLW Door from the table to the right that will fit between the foundation sidewalls. Frame length should be between L1+2" and L2. Frame length can be extended with optional extension panels.



Record your foundation dimensions here

<b>Width</b>
W1 (minimum) = _____
W2 = _____
<b>Length</b>
L1 + 2" = _____
L2 = _____



### Sloped Wall Basement Door Dimensions

For inside width (inches) (W1) of:	Select Door Model	*Outside Width (W) (inches)	**Length (L) min - max (inches)	Door Opening	
				Length (inches)	Width (inches)
36 - 41	SLW3641	45¼	65¼ - 67¾	57	30
46 - 51	SLW4651	55¼	65¼ - 67¾	57	40
47 - 51	SLW4751	55¼	74½ - 77	67	40
50 - 55	SLW5055	59¼	67¾ - 70¼	60	44
54 - 59	SLW5459	63¼	74½ - 77	67	48

\* The frame of the door must overlap the foundation sidewalls by at least 2" on each side.  
 \*\* The SLW door length is adjustable for installation flexibility.

**Extensions** are available to increase the door length in 6" and 12" sizes. Two or more extensions can be over-lapped to make longer extensions.

# Imagine...

## Window Wells

Bilco window well systems add natural daylight and ventilation to basement rooms, making them as warm and comfortable as any area in the home. Window well systems meet building code requirements for emergency egress and are constructed of non-corrosive materials for many years of maintenance free service.



### ScapeWEL®

#### Window Well System

##### Features:

- Step design aids emergency egress and can be landscaped with plants or flowers for added visual enhancement
- High-density polyethylene molded construction will never rust, rot, or change color and is UV-stabilized for long life
- Attractive driftwood color complements basement interior and blends with any architecture
- Easily cleaned with standard household cleaners
- Available in a number of sizes to accommodate virtually any foundation height



Heavy duty molded panels feature a structural foam core for added strength and rigidity

Consists of side- and step-panels that simply snap together on-site



### stakWEL®

#### Modular Window Well System

##### Features:

- Modular system provides corrosion resistant performance at "steel-like" prices
- High-density polyethylene molded construction will never rust, rot or change color and is UV-stabilized for long life
- Unique "Grip/Step" design features convenient handle and gusseted step to meet emergency egress requirements
- Neutral driftwood color and pebbled interior finish will complement the interior of any home
- Overlapping ribs and tabbed inserts lock modules together to form a cohesive assembly
- Modular system can be used on foundations of ten foot and greater in depth



Single modules work well with utility windows

Modules can be stacked to accommodate virtually any foundation height



**Bilco window well systems are a great enhancement for basement remodeling projects. See back cover for information on installation by a certified installer.**

## Selecting the Proper Size

**Step 1:** Measure or calculate dimension **(A)** as shown in the detail on the right based on the site's grade conditions and foundation height.

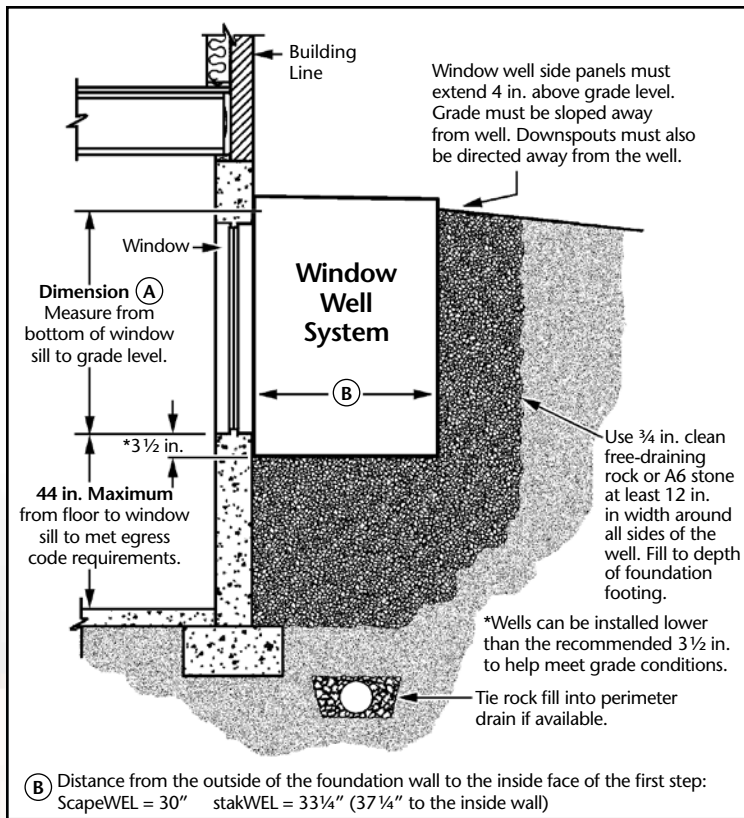
**Step 2:** Determine the required window well side panel height by performing this simple calculation:

$$\text{Required Side Panel Height} = \text{Dimension (A)} + 7\frac{1}{2}''$$

From the first column in the table below, select the closest side panel height that will meet the site conditions.

**Step 3:** Once the side panel height has been determined, read across and select the desired window width. With the window size selected, read across to select the proper window well and cover.

**NOTE:** Both stakWEL® and ScapeWEL® models satisfy building code requirements for emergency egress.



## Standard Sizes and Model Numbers

StakWEL® Window Well System										StakWEL® Modular Window Well System				
Model No.	No. of Tiers (steps)	Inside Width	Projection from Foundation	Side Panel Height			Maximum Window Width		Optional Dome Cover	Model No.	Height Based on No. of Modules	Width	Projection from Foundation	Optional Dome Cover
				Standard	With Extension*		Wall Mount	Buck Mount						
					Height	Model No.								
4048-42	2	42"	41"	48"	X	X	42"	38"	4042C	stkwl-48	(1) = 21"	53"	40 1/4"	stkwl-48D
4048-54	2	54"	41"	48"	X	X	54"	50"	4054C	stkwl-48	(2) = 36 3/8"	53"	40 1/4"	stkwl-48D
4048-66	2	66"	41"	48"	X	X	66"	62"	4066C	stkwl-48	(3) = 51 3/4"	53"	40 1/4"	stkwl-48D
4862-42	3	42"	49"	62"	81"	3019-42	42"	38"	4842C	stkwl-48	(4) = 67 1/8"	53"	40 1/4"	stkwl-48D
4862-54	3	54"	49"	62"	81"	3019-54	54"	50"	4854C	stkwl-48	(5) = 82 1/2"	53"	40 1/4"	stkwl-48D
4862-66	3	66"	49"	62"	81"	3019-66	66"	62"	4866C	stkwl-48	(6) = 97 7/8"	53"	40 1/4"	stkwl-48D

X - Not Available.

\*Extensions are only available for 3-tier window well models.

Note: The distance from the outside of the foundation wall to the inside face of the first step is 30".

Note: stakWEL Window Wells cannot be used with 60" wide windows. Use ScapeWEL model for this window size.

## Window Well Dome Cover Option

Limits the accumulation of snow, leaves and debris. Constructed of polycarbonate, this high impact cover is UV-resistant and designed for durability and long life.

Note: For applications with a casement window, the well must be installed so that it is above the top of the window for a dome cover to be utilized.



ScapeWEL Dome Cover



stakWEL Dome Cover

# Imagine... PermEntry® Basement Entrance

Consisting of a precast concrete stairwell and either a Classic Series or Ultra Series basement door, PermEntry is the fastest and most economical way to add convenient, direct basement access to any home. PermEntry is ideal for new home construction or remodeling projects and can be delivered and installed in just a few hours by a PermEntry dealer.



## Plan for it on New Homes

The PermEntry® Basement Entrance adds sales appeal and value by giving homeowners access directly from the basement to the outdoors. When you plan for a PermEntry Basement Entrance, you open up your basement to a number of opportunities, including:

- External basement exit in case of an emergency
- Access to mechanical equipment during construction, reducing traffic and damage to the main level of the home
- Ability to move large furniture, bulky appliances and patio furniture easily through the basement
- Additional quality selling features your customers will recognize and appreciate
- A basement as convenient and easy to use as other rooms in the home



## Add it to an Existing Home

Homeowners and remodeling contractors can add the convenience of direct basement access by following these simple steps:

- Contact a PermEntry dealer to determine if your home is suitable for a PermEntry installation
- Stake off the area to be excavated. Call local utility companies to verify power and utility line locations
- Hire an excavating or landscaping contractor to dig the opening for the precast stairwell (see page 7 for opening requirements)
- Contact a contractor to saw cut an opening in your foundation wall. A PermEntry dealer can help you find a contractor
- Ask your PermEntry dealer for help on determining the proper size of your areaway and to set up delivery and installation
- Once the entrance has been installed, back-fill and landscape the area around the new basement entrance

## You Supply the Foundation Opening... PermEntry Does the Rest!

Bilco has a national network of licensed PermEntry dealers. To find a dealer near you, visit [www.bilco.com](http://www.bilco.com). Complete installation of the precast stairwell and door is typically done in less than two hours.



*1. The foundation opening is prepared to receive the PermEntry casting. Holes for the special high-strength bolts are drilled through the foundation.*



*2. Facing surfaces are coated with self-sealing butyl resin strip sealant for a watertight seal and rods are threaded into anchors built into the casting.*



*3. The PermEntry precast stairwell is lowered into position onto the foundation footing and secured through the foundation wall.*



*4. The Bilco door is assembled and anchored to the precast stairwell. The area is then backfilled and landscaped to complete the installation.*

### Pre-Installation Requirements

1. Provide truck access to within 10' of the center of PermEntry stairwell.
2. Foundation footing and opening should be level, plumb and square.
3. Width of foundation wall opening should be 40" maximum for all sizes.
4. Ensure proper soil drainage at base of unit. A footing drain to daylight is recommended.
5. When foundation is backfilled, leave a minimum work area for the PermEntry installation.
6. On new construction applications, the basement floor or equivalent slab should be poured in the concrete wall.
7. Hold foundation tar coating back a minimum of 12" on each side of the opening.

### How To Measure

1. Determine the measurement from the finished grade to the foundation footing.
2. Refer to table below to select proper size. Top of stairwell unit should be a minimum of 2" above the finished grade.
3. Double-check pre-installation requirements and assure there is adequate area for truck access to and from the installation site.

### Post-Installation Requirements

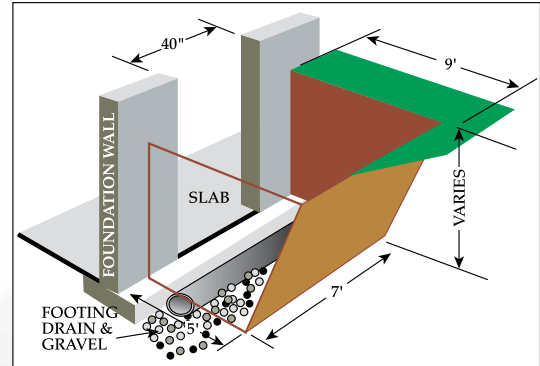
- Properly backfill and compact excavation with clean, suitable fill and/or stone. Never use construction debris and never backfill higher than 2" below the top of the stairwell
- Final grade should be adjusted to leave 2" - 6" of stairwell above the finished grade. Immediately slope the grade away from the PermEntry entrance in all directions
- Avoid locating down spouts or sump discharge near the PermEntry entrance
- An insulated door at the bottom of the stairs is recommended to reduce heat loss
- For steel doors, a finish coat of alkyd metal enamel in a light color must be applied to all metal surfaces inside and out. Do not use an oil-based wood paint

### A PermEntry® Unit for Every Home...

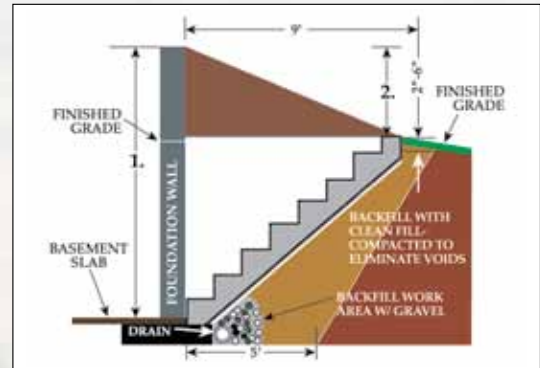
Footing to Grade (inches)	PE Size	Casting (C)			Door (D) Height (inches)
		Height (inches)	Length (inches)	Width (inches)	
35 - 41	S	43	45	51 1/2	52
52 - 58	O	60	60	51 1/2	30
59 - 66	B	68	66	55 1/2	22
67 - 74	C*	76	74	55 1/2	19 1/2
75 - 82	D*	84	86	55 1/2	22
83 - 91	E*	92 3/4	95 3/8	58	22
92 - 99	F*	101	104	58	22

\* Optional Ultra Series Door available for these sizes.

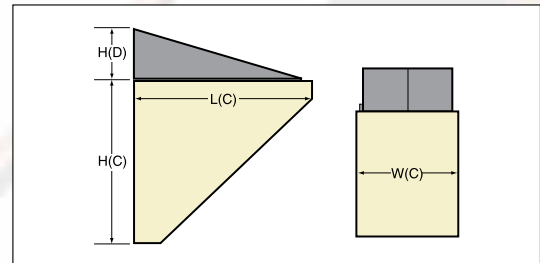
### Job Requirements



### How to Order



### Door Sizing



### Features:

- One-piece pre-cast concrete steps. Thoroughly vibrated for maximum density
- Original Bilco basement door. Available with Classic or Ultra Series model
- Thousands installed since 1960



# Basement Accessory Products



## Keyed Lock Kit

With a Bilco basement door lock, a simple turn of the key opens the door from the outside, providing convenient access to basement storage areas, workshops, playrooms and utility rooms. The lock kit is designed for homeowner installation and is supplied with a template and complete instructions for quick, easy installation.



## Stair Stringers

Stringers are available for all size Bilco Basement Doors. Constructed of heavy gauge galvanized steel, stringers are ideal for replacing existing wooden basement steps. The removable tread design allows bulky items to be easily moved into the basement for storage.



## Foundation Plates

Used in both new and retrofit applications, foundation plates improve an areaway's appearance, cover rough masonry, reduce the inside areaway width, or provide side support in corner installations. Formed plates are constructed of galvanized steel for corrosion resistance and supplied with a natural galvanized finish. Foundation plates are 84" in length and are available in widths 5", 8", 11" and 14".

## Standard Sizes

Basement Door	Stair Stringer		
	Model	Stringer Length	No. of Stair Treads
Size SL	Size SL-SS	34 $\frac{5}{8}$ "	4
Size O	Size O-SS	51 $\frac{3}{8}$ "	6
Size B	Size B-SS	59 $\frac{3}{4}$ "	7
Size C	Size C-SS	68 $\frac{1}{8}$ "	8

Multiple stringers can be used together and extensions (SZ-E-SS) are also available for non-standard areaways. Extensions are 25 $\frac{1}{4}$ " in length and add 3 stair treads.

# Services and Programs



## Independent Installer Program

The Bilco Independent Installer Program is a partnership program that provides installation services for new construction or remodeling projects using Bilco Basement Door and/or Window Well Systems.

Every Bilco independent installer has a proven history of quality installation services and/or business practices and has completed the Bilco product field training program. Besides comprehensive training, Bilco provides its independent installers with a variety of sales and marketing tools, job referrals and other support.

If you are looking for a Bilco Independent Installer — or are interested in becoming one — go to [www.bilco.com](http://www.bilco.com).

## Bilco Model Home Programs

High-quality builders know that Bilco products add value, selling features and more saleable square footage to their homes. That's why many large builders turn to Bilco for help in their model home programs. Bilco offers a number of model home programs, each specifically designed to help builders meet their individual needs and product demands. To learn more, go to [www.bilco.com](http://www.bilco.com).

## Warranty

All Bilco residential products are backed by a five-year warranty against defects in material and workmanship — ten years for the Ultra Series basement door — provided that the product has been installed in accordance with the manufacturer's instructions. Bilco products are designed to operate to the customer's satisfaction and to provide years of trouble-free service. Should a part fail to function in normal use within this time period from the date of purchase, a new part will be furnished at no charge.



## Imagine...

*What Bilco can do for your basements*

(800) 854-9724 • FAX: (740) 455-3400 • Email: [residential@bilco.com](mailto:residential@bilco.com) • [www.bilco.com](http://www.bilco.com)